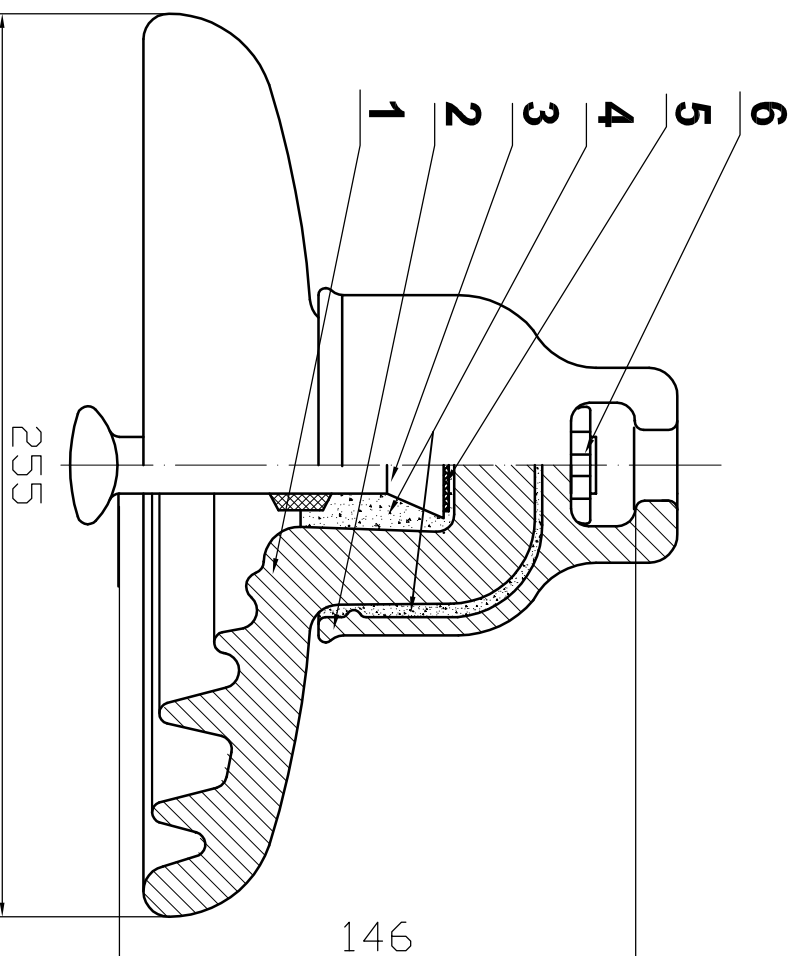


TECHNICAL DATA

Specification Applied: ANSI Standard C29.2-1992



Characteristics

1. Dimensions:	ANSI type B
+ Type of ball and socket coupling	295
+ Leakage distance, mm	
2. Mechanical Values	
+ Combined mechanical - electrical strength, kN	70
+ Mechanical impact strength, kN	55
+ Tension proof, kN	35
3. Electrical Values	
+ Low-frequency dry flashover, kV	80
+ Low-frequency wet flashover, kV	50
+ Critical impulse flashover positive, kV	125
+ Critical impulse flashover negative, kV	130
+ Low-frequency puncture, kV	110
4. Radio-Interference Voltage Data:	
+ Low-frequency test voltage, rms to ground, kV	10
+ Maximum RIV at 1000 KHz, microvolts	50
5. Weight, kg	5.2
6. Colour of insulator	Brown
7. Mark on porcelain	

Rating

ITEM	DESCRIPTION	QTY	MATERIAL
6	Split key	1	R Stainless steel
5	Cushion	1	Bitumen Paper
4	Cement		Portland Cement
3	Pin	1	Forged Steel hot dip galva.
2	Socket cap	1	Cast iron hot dip galva.
1	Porcelain	1	Porcelain high strength



U-70BL